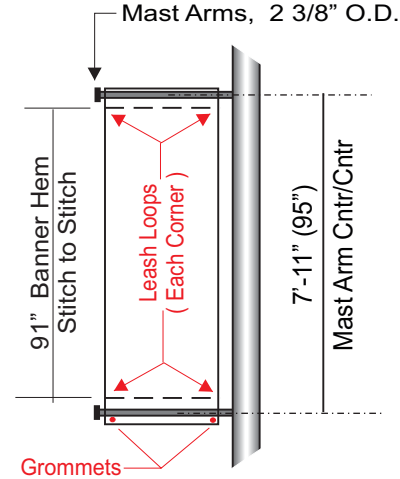
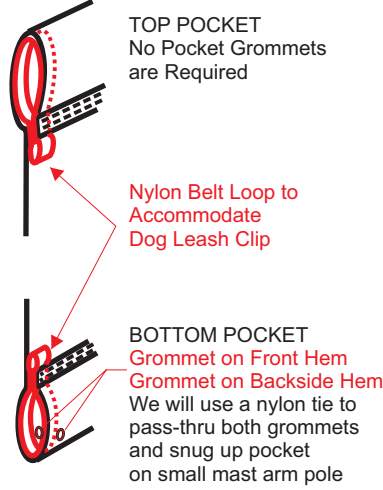


DOUBLE FACE DIGITAL BANNERS - Scale: 3/4"

- * Qty=(___) D/F "Combo" Pocket
- * Double Face Digital Printed 8ft x 2ft 6in Banners
Finish Size: 102" x 30"
re: _____
- * Heavy Duty Vinyl for Downtown Urban Environment
- * Multi Color Electronic File Furnished by Client
- * Re-Enforced Belt Loops at Each Corner



STD DOWNTOWN BANNER
Nominal 96" x 30"
5 1/2" Combo Pockets
Mast Arm Size: 2 3/8" O.D.

**COMBO POCKET
102" X 30" Banners**



**Experience Columbus
Downtown Banner Specs**

03/24/16

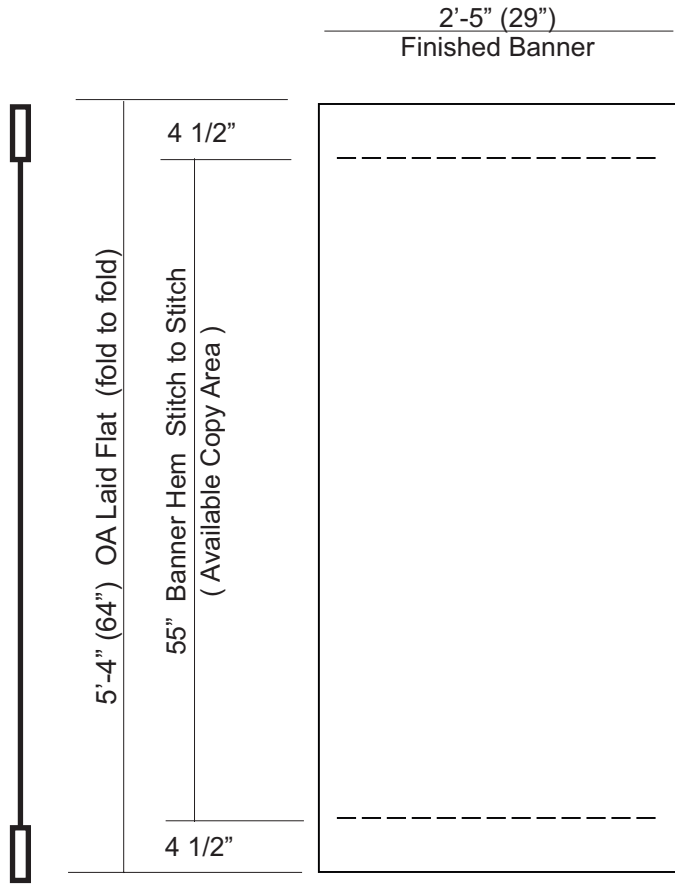
Project Layout
 Approved
 Approved as Noted
 Approval Signature _____

U/L: Yes No
 Install per NEC 600
 - Grounding
 - Bonding

Sales: BH
 Design: LK
 Dwg: 216-0279

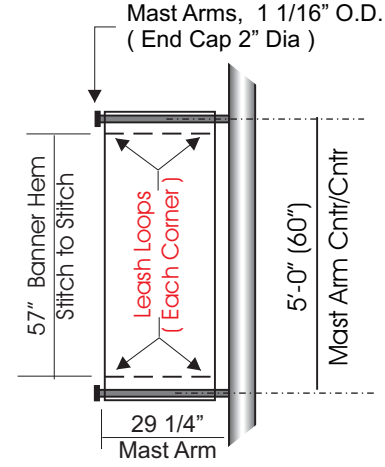
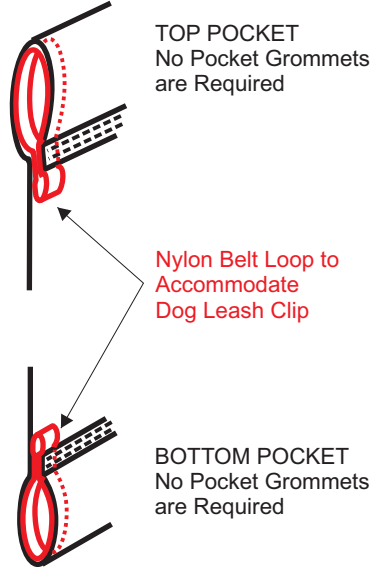


COLUMBUS SIGN COMPANY



DOUBLE FACE DIGITAL BANNERS - Scale: 3/4"

- * Qty=(____)
- * Double Face Digital Printed 5ft x 2ft 5in Banners re: _____
- * Heavy Duty Vinyl for Downtown Urban Environment
- * Multi Color Electronic File Furnished by Client
- * Re-Enforced Belt Loops at Each Corner



NOMINAL 60" x 28"
DWNTN BANNER - GAY ST.
4 1/2" Pockets Top & Bot
Mast Arm Size: 1 1/16" O.D.

**SMALL 64" BANNER
64" x 29"**



**Experience Columbus
Downtown Banner Specs**

03/24/16

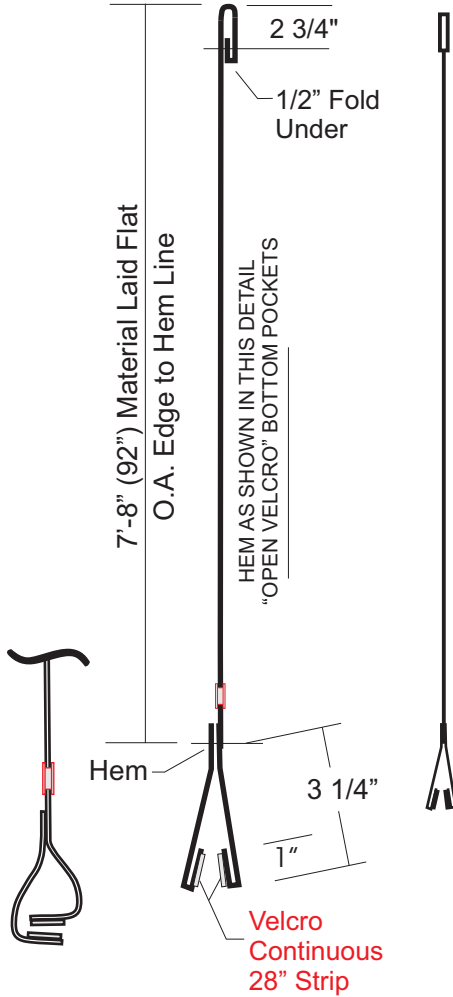
Project Layout
 Approved
 Approved as Noted
 Approval Signature _____

U/L: Yes No
 Install per NEC 600
 - Grounding
 - Bonding

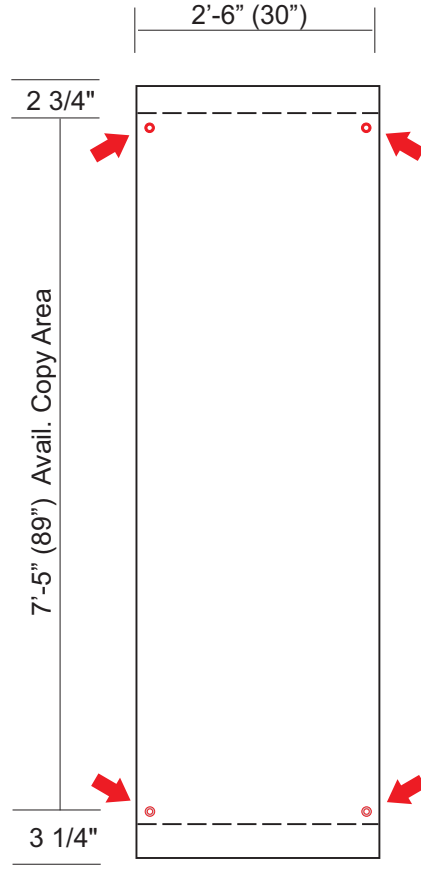
Sales: BH
 Design: LK
 Dwg: 216-0279

2

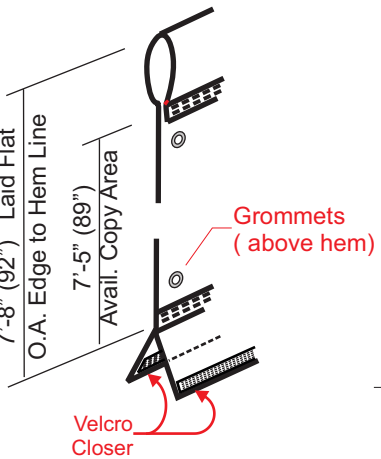
COLUMBUS SIGN COMPANY



VELCRO BOTTOM POCKET CLOSURE



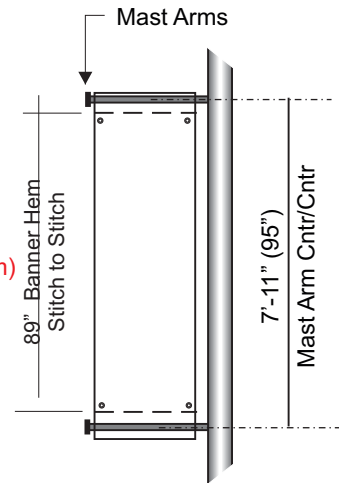
DOUBLE FACE
95" x 30"
"VELCRO" Pocket



VELCRO BOTTOM POCKET CLOSURE

DOUBLE FACE DIGITAL "VELCRO" BANNERS
Scale: 1/2"

- * Qty=(_____)
- * Dble Face "Velcro Pocket" Digital Printed Finish Size: 95" x 30" Banners
- re: _____
- * Heavy Duty Vinyl for Urban Environment
- * Multi Color Electronic File Furnished by Client
- * Velcro Closer on Bottom Pocket



STD DOWNTOWN BANNER
Nominal 96" x 30"
Velcro Bottom Pocket

VELCRO BANNERS
95" x 30"



Experience Columbus
Downtown Banner Specs

03/24/16

Project Layout
 Approved
 Approved as Noted
 Approval Signature _____

U/L: Yes No
 Install per NEC 600
 Grounding
 Bonding

Sales: BH
 Design: LK
 Dwg: 216-0279

3

COLUMBUS SIGN COMPANY