

OTTO JOBST AHRENS

d 1/20/1825 HAN.
& 11/26/1872 HAN.

DOROTHEA MARIE ZINNEN

d 8/24/1800 HAN.
& 1774 HAN.

m 1/15/1787

d 1/16/1847 HAN.
& 4/13/1887 HAN.

m 7/29/1799 HAN.

OTTO CHRISTIAN

MARGARETA SOPHIE ELIZ. PRECHT (A/K/A OHLMEYER)

JOHANN RUDOLPH

JOHANN FRIEDRICH LUDWIG

m 12/12/1810 HAN.

d 4/23/1894
& 4/20/1811 HAN.

d 7/16/1879 ZION
& 5/28/1815 HAN.

d 8/5/1858 ZION
& 1790
TO U.S. 1848
d 1/3/1873 HILLSIDE
& 3/14/1820

SEE CHART #2

DOROTHEA

OTTO JOBST

CAROLINE

ELIZABETH

- SIMMERING UNVED.

FRIEDRICH

BLISE ROEHRS

m 2/24/1861 IL.

HEINRICH EHRENFORT

d 9/12/1887
& 12/31/1812

m 10/15/1841 BONS.

MARIE CAROLINE ELISABETH

SEE CHART #1

WILHELM HARGER
d 1/28/1938
& 3/1/1846 HAN.
m 6/6/1877 IL.

SEE CHART #3

CHRISTOPH MEYER

d 10/19/1868 WLM.

& 3/27/1802

m 7/24/1850 BONS.

OTTO FRIEDRICH SOPHIE
FRIEDRICH EHLER DOROTHEA
WILHELM WILLIAM IDA

EMMA HERBST
m 9/12/1873 & 1/6/1875

MARY DOROTHY CAROLINE

JOHN WARKENTEN

d 11/18/1908
& 10/15/1838

SEE CHART #2

EMIL A. STEINHOBEL
d 11/19/1927 EL.
& 4/11/1847 GER.
m 12/4/1904

8

FREDRICK WILHELM BOEGER

d 1/2/1902 ST.P.
& 8/20/1820 HAN.
m 2/15/1847

d 7/29/1916 ST.P.
& 10/31/1851 Y.T.

FRED OTTO

d 6/11/1964 R.L.
& 9/18/1881

LILLY MARY "LILLIAN"
d 1884 & 1876
HEIN. CHRIS. ENLER

(FARMER) Y.T. 1918
HMS.

OLGA BAKKE
d 1/9/1968
& 4/15/1881
MARSHY

SEE CHART #1

EMIL HOEPNER
d 10/1/1967 CHGW
m 11/20/1914

LOUISE WESTENDORF

d 10/19/1875 ST.P.
& 9/14/1864

d 6/11/1964 R.L.
& 9/18/1881

d 8/15/1976 CHGW
& 6/13/1883

d 9/21/1944 ST.P.
& 6/6/1887

d 5/2/1978 CHGW
& 9/23/1887

d 6/4/1963
& 1/13/1892

d 2/15/1973
& 2/21/1900

WILLIAM J.

MATHILDA

EDWARD F.

HENRY E.

ELSJIE

(FARMER) 1918

MARGARET KORRELL

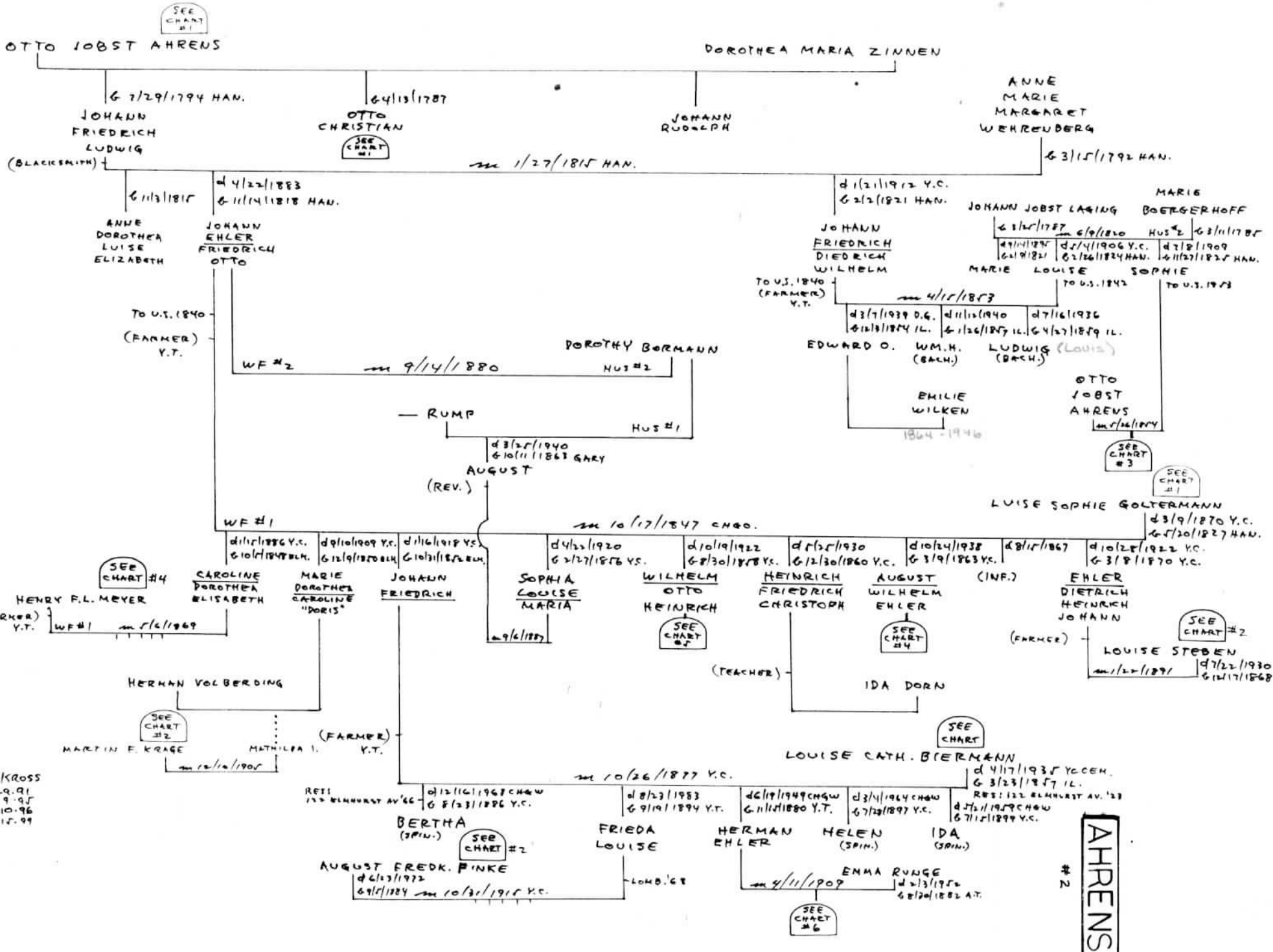
SEE CHART #1

ALMA HOEPNER
d 10/23/1978
& 2/9/1890

T.H. KROSS
7.28.91
4.28.96
7.1.00
7.8.00
7.11.03

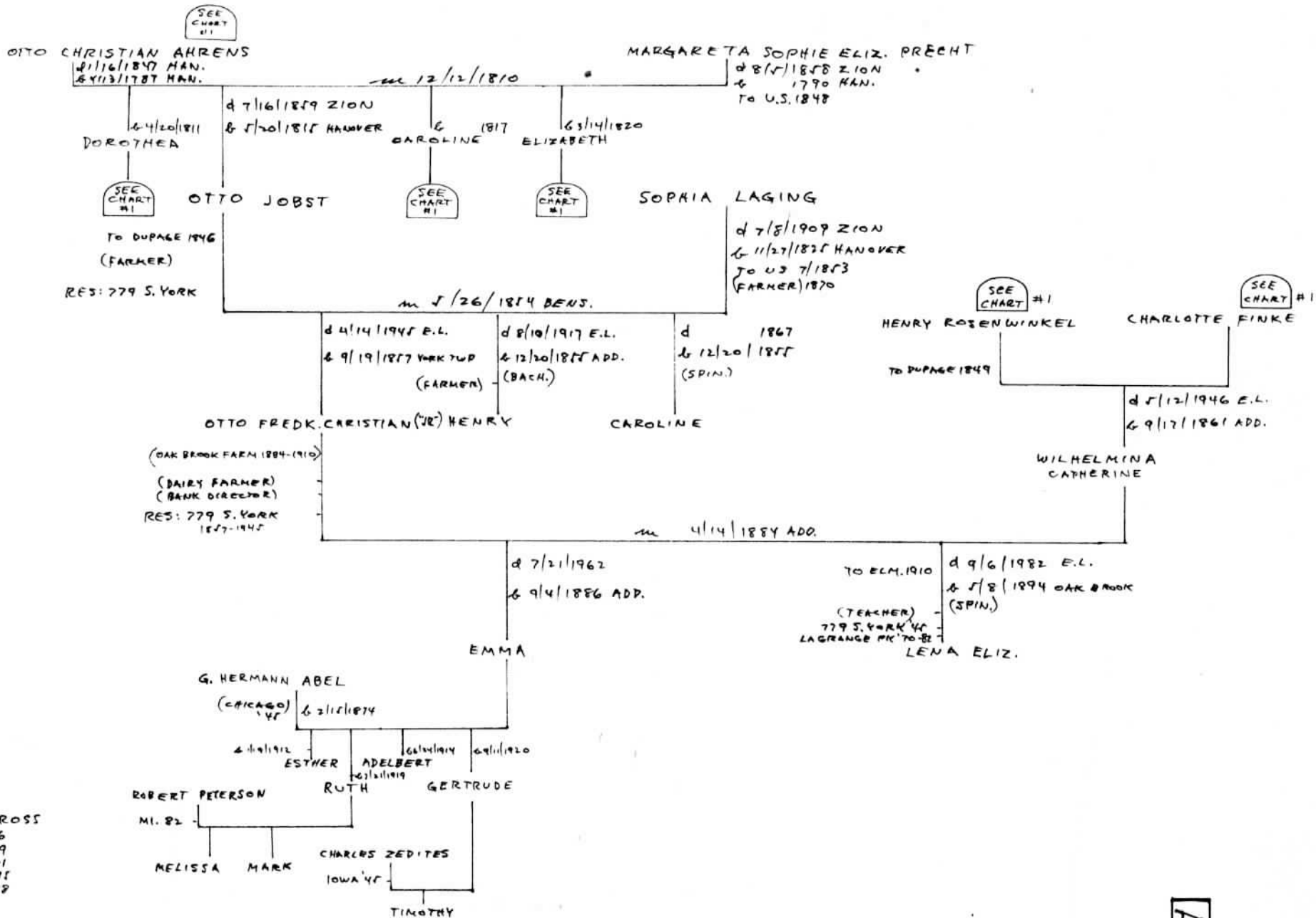
Loc B10 2

AHRENS #1



T. H. KROSS
 9.29.91
 11. 9.95
 11. 10.96
 10. 15.99

AHRENS #2



7. H. KROSS
3-5-86
5-18-89
9-30-91
2-6-95
8-2-98

AHRENS #3

JOHANN EHLE F.O. AHRENS
 WF #1

SEE CHART #2

M 10/17/1847 CAGO.

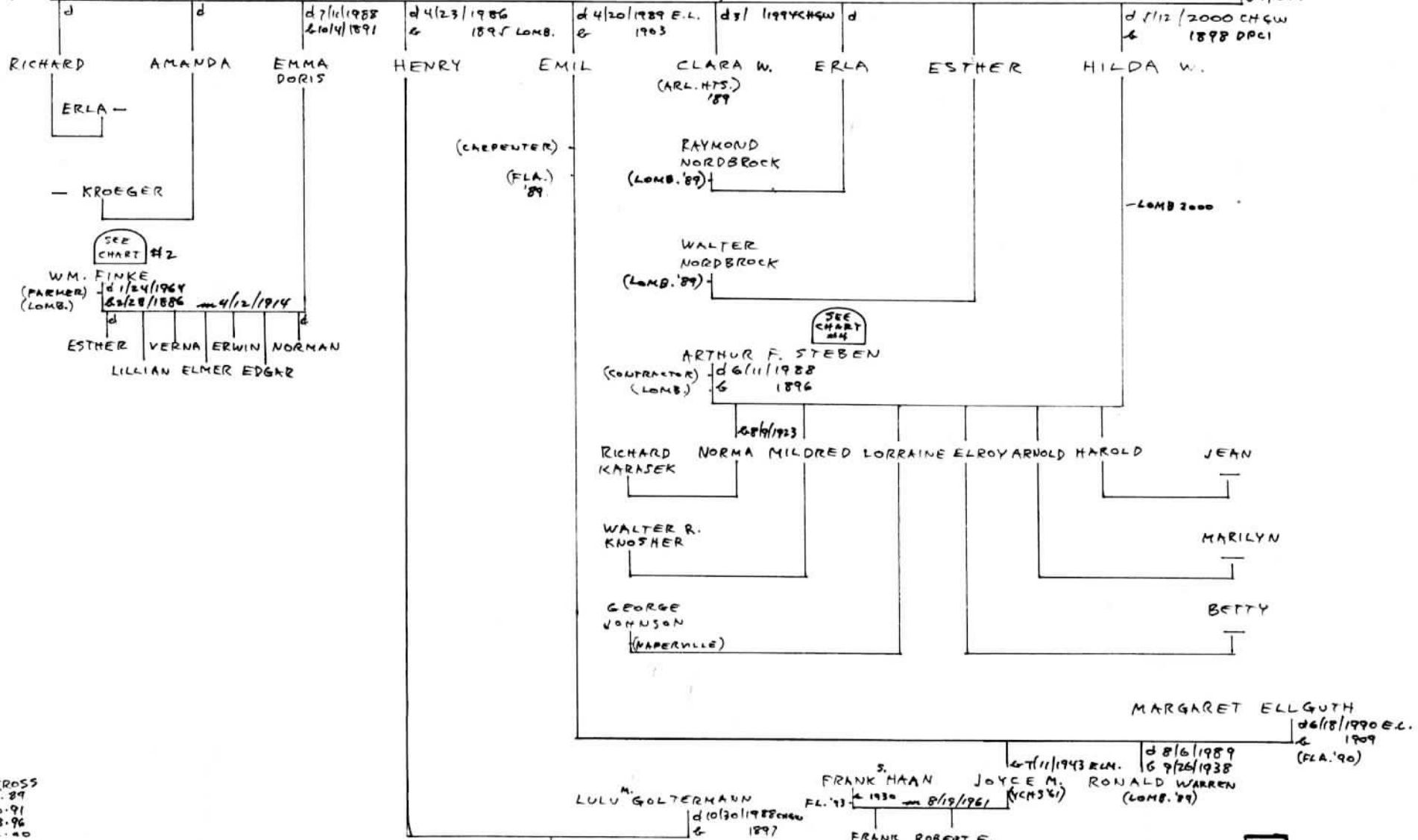
LUISE SOPHIE GOLTERMANN

SEE CHART #1

MARY SOPHIE ANNA BADE
 d 6/10/1955 CHGW
 b 1/23/1867 Y.C.

AUGUST WILHELM EHLE
 (FARMER) Y.T.
 d 10/24/1938 CHGW
 b 2/7/1863 Y.C.

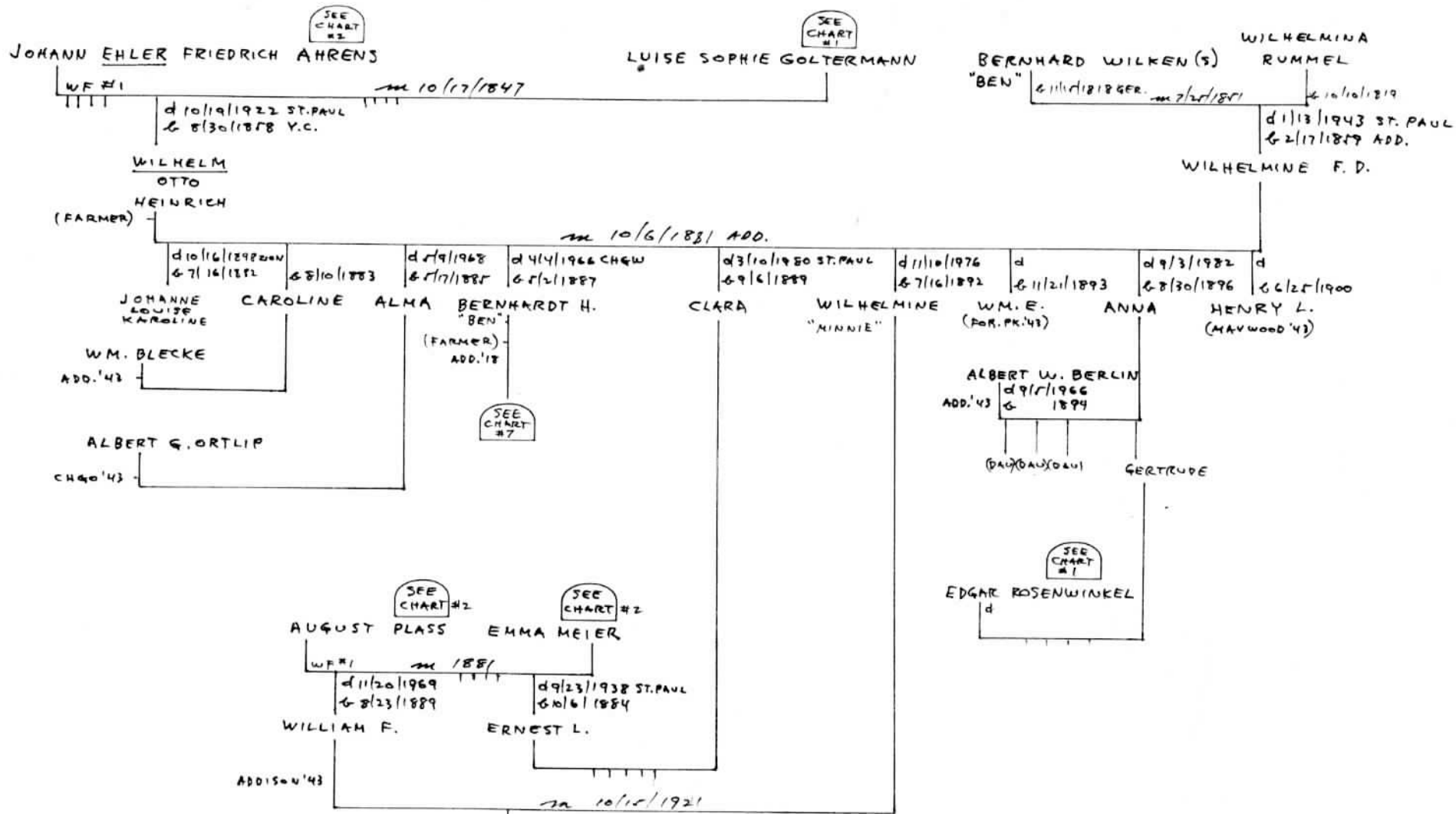
M 2/28/1889 Y.C.



T.R. KROSS
 11-17-89
 9-30-91
 7-28-96
 6-1-00

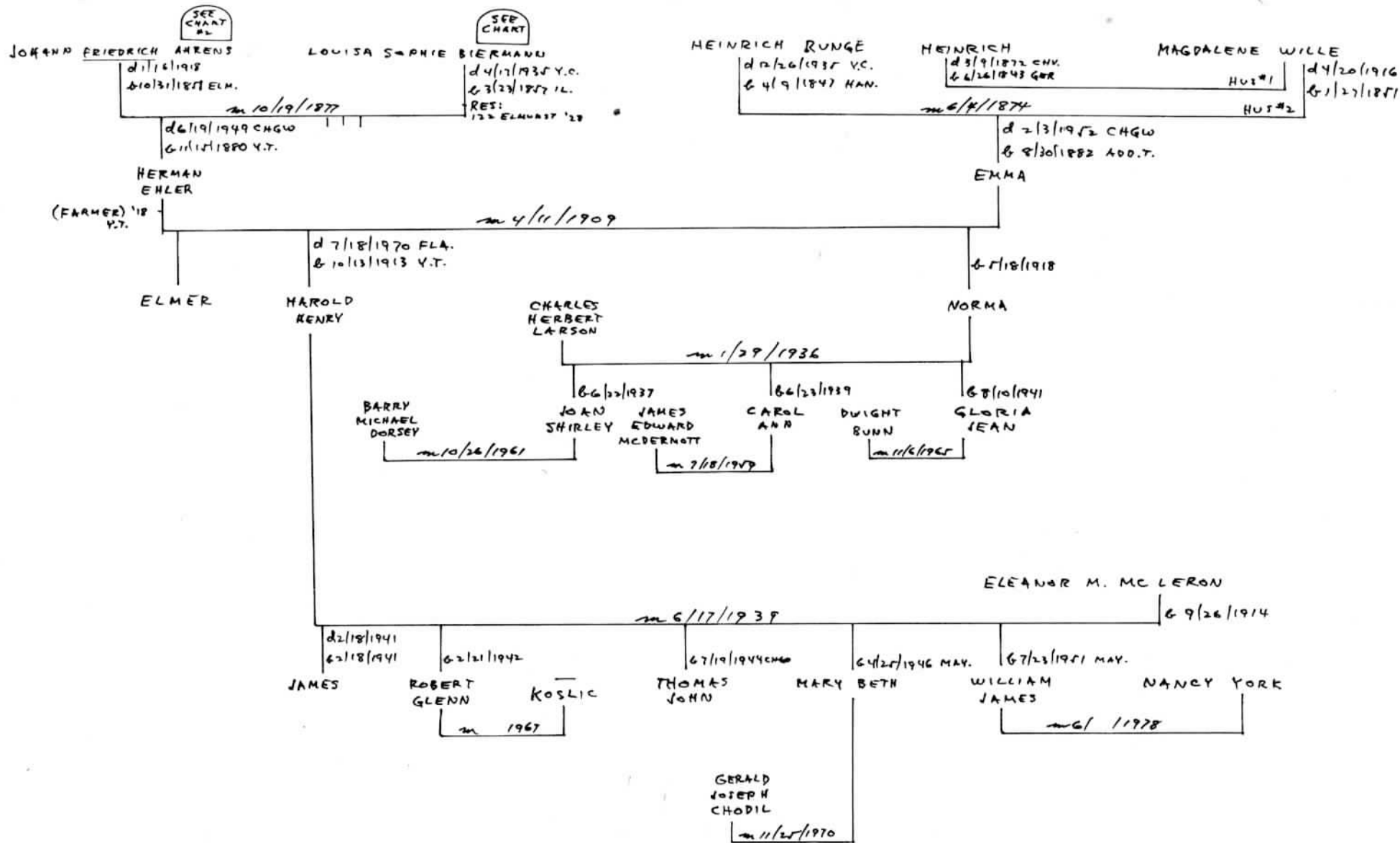
CARL GEHRS (LOMB.) '93
 MARGARET (YENS '93)
 PAUL HOWLAND, KIMBERLY
 MICHAEL MATTHEW

AHRENS



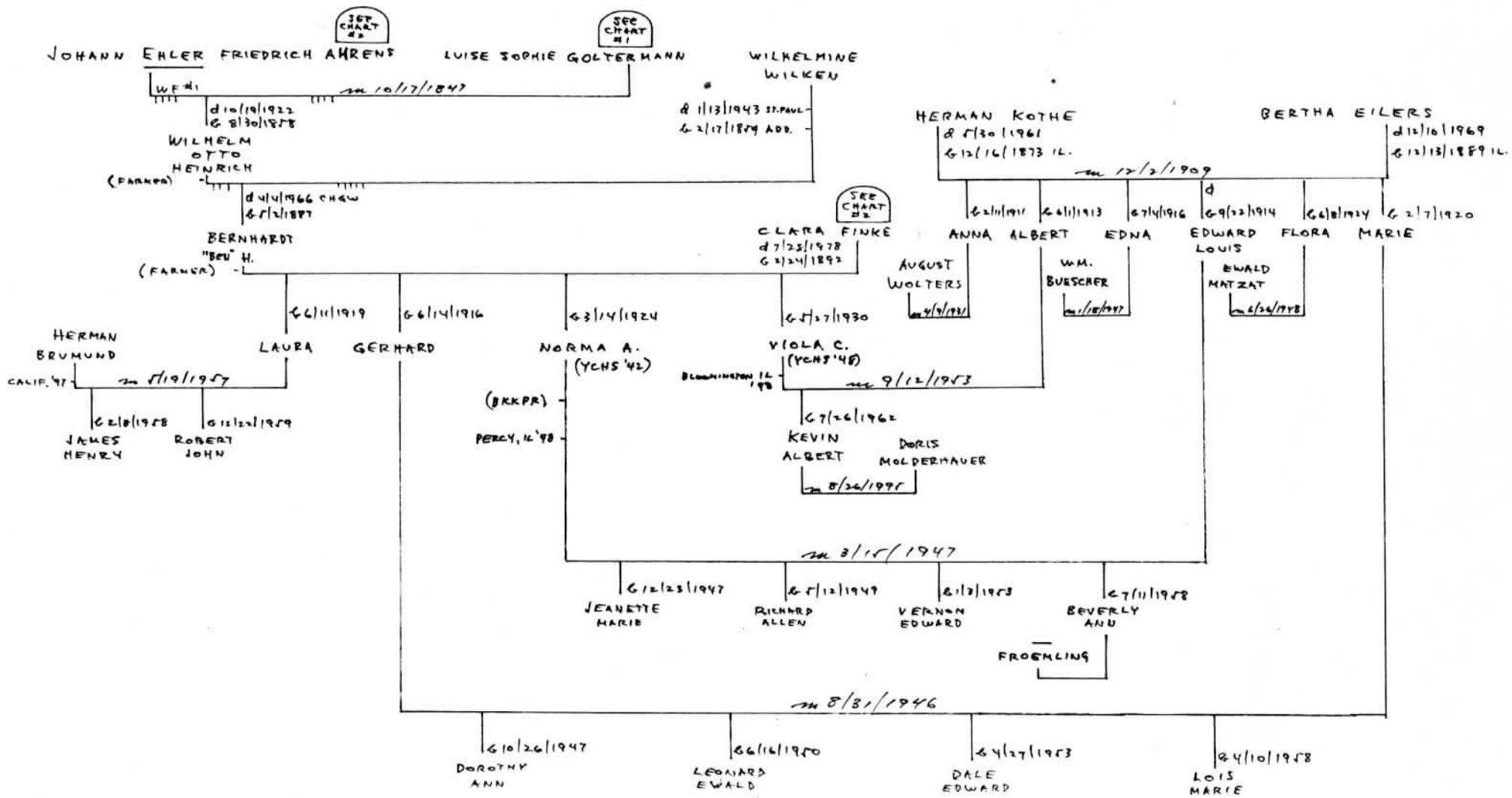
T.H. KROSS
 9-30-91
 11-7-95
 5-2-98

#5
AHRENS



T.H. KROSS
11-10-96

AHRENS



T.H. KROSS
 5-2-98
 6-12-99

#7
AHRENS