

# BAG POLICY

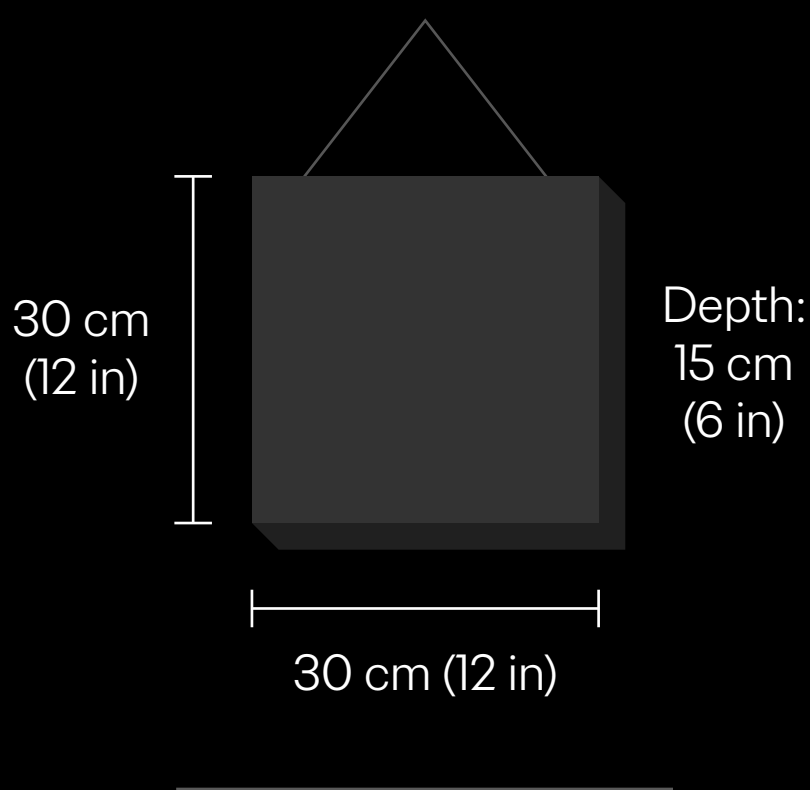
**TO HELP ENSURE AN EFFICIENT AND TIMELY SECURITY PROCESS, THE STADIUM HAS INTRODUCED A BAG POLICY FOR ALL FANS.**

## ALLOWED BAGS

To maintain a safe and efficient entry process, only certain types of bags are permitted inside the stadium.

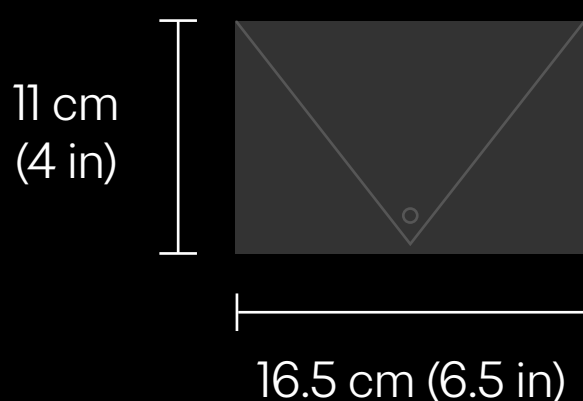
### Clear Bags:

Must be made of clear plastic, vinyl, or PVC, and no larger than **12" x 6" x 12"** (30 cm x 15 cm x 30 cm)



### Small Clutches:

Non-clear clutches or wallets about the size of a hand are permitted, as long as they're no bigger than **4.5" x 6.5"** (11 cm x 16.5 cm)



## BAG INSPECTIONS

All bags must be inspected at the stadium entrance.

## ACCOMMODATIONS FOR MEDICAL NEEDS

Bags that do not meet size or material requirements may be permitted **for medical reasons** only.

Must be accompanied by a **medical certificate** (English, French, or Spanish) and presented **by the individual** the bag is intended for.

## BAG RESTRICTIONS

Please note bags larger than **12" x 6" x 12"**, not made of **clear plastic, vinyl, or PVC**, or containing **prohibited items** will **not be allowed** into the Stadium.

**Camera bags, covers, and similar items are generally prohibited, unless they adhere to our Bag Policy.**

## RESTRICTED ITEM STORAGE

For fans with bags that do not meet our Bag Policy requirements or with restricted items that are not deemed hazardous, storage will be available at the Restricted Item Storage area prior to entry on a first-come, first-serve basis.

The service is subject to a fee.